

# BARFUSE ELECTRIC CO., LTD.

ADD: No. 15, yonghe 3 road, Chengdong industry zone, yueqing Wenzhou Zhejiang China  
(TEL):0577 62668628 (FAX):0577 62660866

Email: sales@barfuses.com

www.barfuses.com

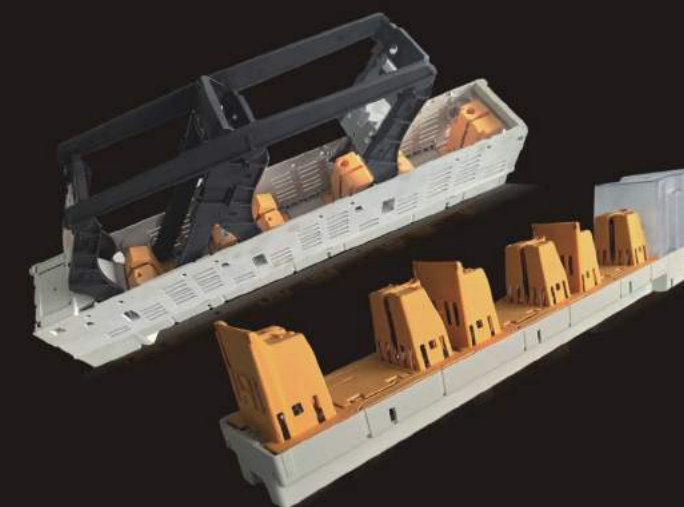
Mobile/wechat/whatsapp: 0086 13968736669



## BARFUSES

BATTLE FOR SAFETY

BARFUSE ELECTRIC CO., LTD.



[www.barfuse.com](http://www.barfuse.com)  
[www.barfuses.com](http://www.barfuses.com)

# Contents

BARFUSE ELECTRIC CO., LTD.

STRIP TYPE FUSE SWITCH	01
BTR SERIES STRIP TYPE FUSE RAIL	02-06
NT / NH SERIES FUSE BASE	07
BH SERIES	08
PAN ASSEMBLY	09-11
DISTRIBUTION BOX	12-21
ACCESSORIES	22

# BARFUSE ELECTRIC

Certificate No:40047494



BARFUSE

## STRIP TYPE FUSE SWITCH

### Origin

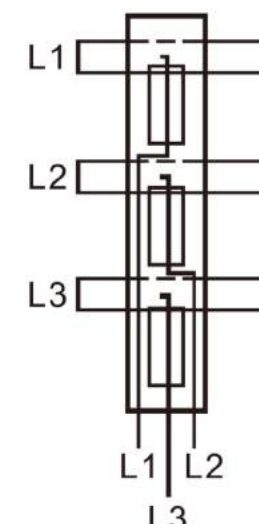
Along with the development of the fuse and the fuse type switch, strip type fuse switch disconnecter is becoming more and more widely, JEAN MULLER is one the first manufacturers to launch strip type fuse switch disconnecter, Siemens also begins to launch strip type fuse switch since 2007. And our company began production and sales since 2000, We have rich experience in production and export, mature technology, high performance to price ratio. With the increase of market demand, BTR series strip type fuse switch also has gradually become the mainstream product of domestic and foreign markets.

### Application

Compact structure, convenient installation, Strip type fuse switch be mainly used in power station; Substation and cable branch box; Industrial and mining enterprises; Commercial buildings;

### Structure and installation

The production is composed of SMC/DMC base and PA66 plastic, Assembly is very convenient, mounted on 100mm and 185mm busbar system, can be 3P single operation or 3P simultaneous operation, can be selected from the upper or lower as the outlet, ordinary type is lower; Commonly used in the vertical installation. Also can be installed level, but need to comply with standards: DIN VDE 0660 Part500 4.7.



### Condition

1. Installation location can't be more than sea level 2000M.
2. Air of relative humidity at the highest temperature 40°C, it can't more than 50%, when the lower temperature, it can be allowed to have higher relative humidity, the lowest temperature average is not more than 25°C, the biggest humidity average is not more than 90%.
3. The environmental pollution degree: three level.
4. Installation category III
5. It install where no vibration and shock.

### Features

1. Conjoined type can be a three-phase closed off simultaneously and the splitted type can be operated independently.
2. Operation safely, while fuse installed in the handle and it can be used as a contact blade directly.
3. It is beautiful and practical and the whole switch can be disassembled easily, and installed in the cabinet fastly.
4. Wiring reduced make it easy to increase the loop and the utilization of the cabinet;
5. The resin glass fiber base (BMC-UP(GF15), FR/DMC-2), with flame retardant grade, and the enclosure rating up to IP30;
6. The latest product has highest usage in the market.;
7. The instantaneous breaking force is up to 100kA, and the operating capacity with a load can be up to 1.3 times of the rated current;
8. It can be with the fuse monitor, signal switch and a remote control module.



# BTR SERIES STRIP TYPE FUSE RAIL

## Technical Parameter:

Type of Fuse Switch	BTR2-250E			BTR2-400E			BTR2-630E		
Ue	415,500,690V								
Ith	250A			400A			630A		
Frequency	50/60Hz			50/60Hz			50/60Hz		
Ui	1000V			1000V			1000V		
Uimp	10KV			10KV			10KV		
Application category	415V	500V	690V	415V	500V	690V	415V	500V	690V
	AC23B	AC22B	AC21B	AC23B	AC22B	AC21B	AC23B	AC22B	AC21B
Degree Of Protection	IP30			IP30			IP30		
Fuse Size	1			2			3		
Ue	415V	500V	690V	415V	500V	690V	415V	500V	690V
Ie	250A	250A	200A	400A	400A	350A	630A	630A	500A
Wire Specifications	120mm <sup>2</sup>			240mm <sup>2</sup>			300mm <sup>2</sup>		
General Connection Mode	Screw&Cable lug								
The Special Connection Mode	V-clamp								
Installation of Busbar	1.Punched rectangle busbar 2.Unpunched rectangle busbar 3.Other								
Fixed Way	1.Screw 2.Hook 3.Other custom accessories								



BTR2-250E, BTR2-400E, BTR2-630E



## Installation dimension:



## Application:





**Technical Parameter:**

Type of Fuse Switch	BTR3(4)-250			BTR3(4)-400			BTR3(4)-630		
Ue	415,500,690V								
Ith	250A			400A			630A		
Frequency	50/60Hz			50/60Hz			50/60Hz		
Ui	1000V			1000V			1000V		
Uimp	10KV			10KV			10KV		
Application category	415V	500V	690V	415V	500V	690V	415V	500V	690V
	AC23B	AC22B	AC21B	AC23B	AC22B	AC21B	AC23B	AC22B	AC21B
Degree Of Protection	IP30			IP30			IP30		
Fuse Size	1			2			3		
Ue	415V	500V	690V	415V	500V	690V	415V	500V	690V
Ie	250A	250A	250A	400A	400A	350A	630A	630A	500A
Wire Specifications	120mm <sup>2</sup>			240mm <sup>2</sup>			300mm <sup>2</sup>		
General Connection Mode	Screw&Cable lug			Screw&Cable lug			Screw&Cable lug		
The Special Connection Mode	V-clamp								
Installation of Busbar	Punched rectangle busbar			Unpunched rectangle busbar			Other		
Fixed Way	Screw			Hook			other custom accessories		



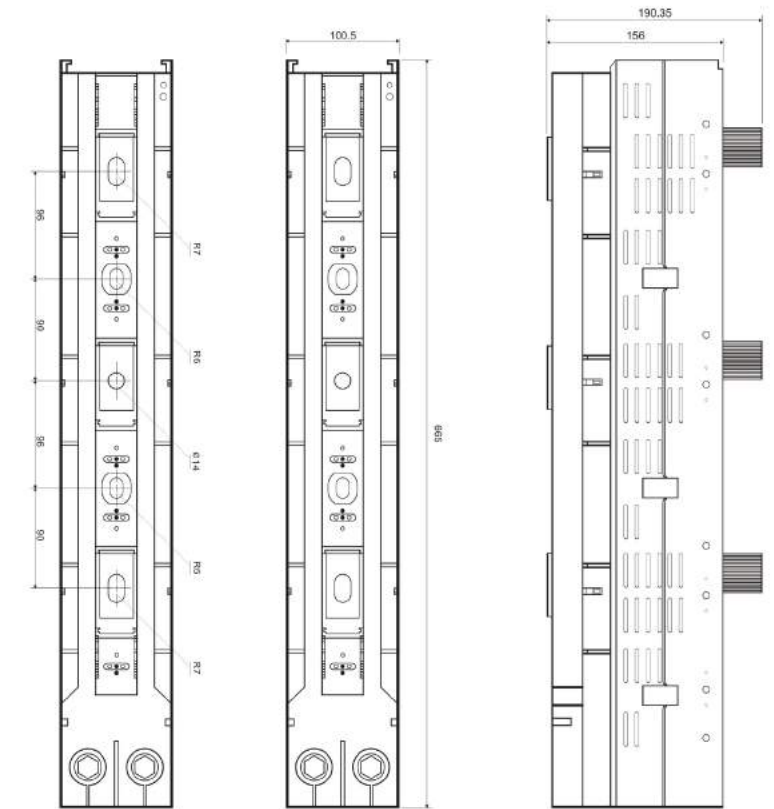
BTR3-250, 400, 630S

BTR4-250, 400, 630T

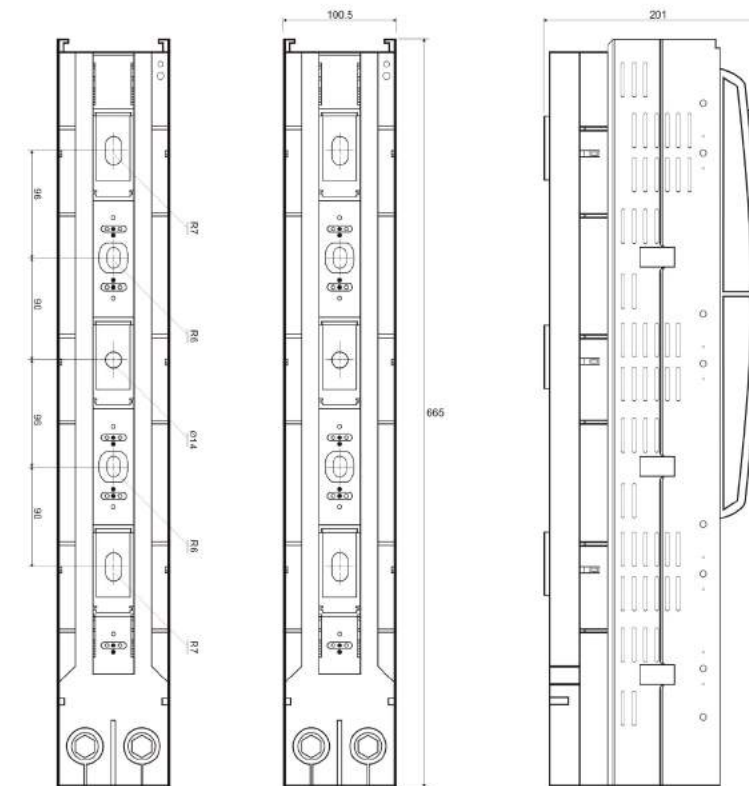


**Installation dimension:**

**BTR3**



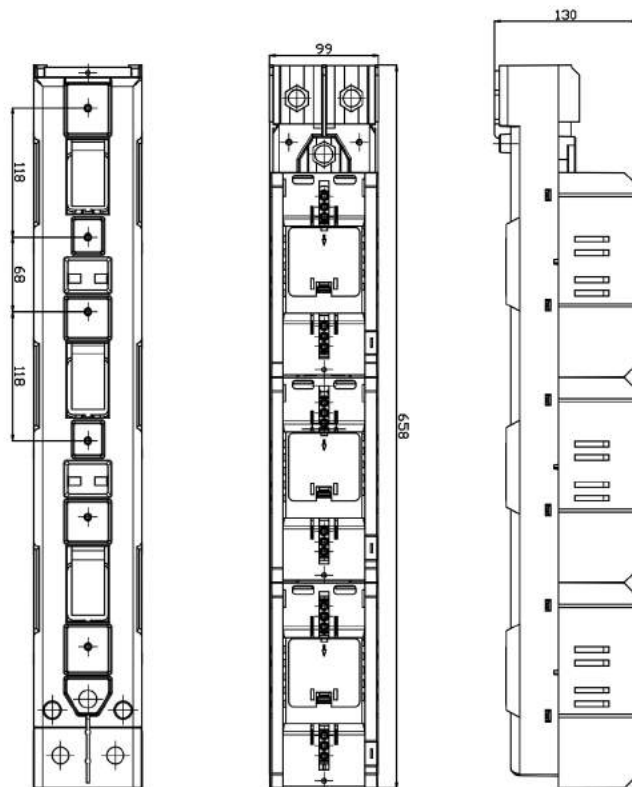
**BTR4**





# BTR SERIES STRIP TYPE FUSE RAIL

Type of Fuse Switch	BTR5-250			BTR5-400			BTR5-630		
Ue	415,500,690V								
Ith	250A			400A			630A		
Frequency	50/60Hz			50/60Hz			50/60Hz		
Ui	1000V			1000V			1000V		
Uimp	10KV			10KV			10KV		
Application category	415V	500V	690V	415V	500V	690V	415V	500V	690V
	AC23B	AC22B	AC21B	AC23B	AC22B	AC21B	AC23B	AC22B	AC21B
Degree Of Protection	IP30			IP30			IP30		
Fuse Size	1			2			3		
Ue	415V	500V	690V	415V	500V	690V	415V	500V	690V
Ie	250A	250A	200A	400A	400A	350A	630A	630A	500A
Wire Specifications	120mm <sup>2</sup>			240mm <sup>2</sup>			300mm <sup>2</sup>		
General Connection Mode	Screw&Cable lug								
The Special Connection Mode	V-clamp								
Installation of Busbar	1.Punched rectangle busbar 2.Unpunched rectangle busbar 3.Other								
Fixed Way	1.Screw 2.Hook 3.Other custom accessories								



# NT / NH SERIES FUSE BASE

NT/NH series of fuse links are mainly used in electrical equipments for protecting the circuits against overload and short-circuit.It also can protecting motor. They are suitable for the circuit of AC50Hz, rated voltage up to 1140V, rated current up to 1250A. The breaking capacity of the fuse links is to 120KA. The fuse links conform to the standards of IEC269.



**NT/NH SERIES**

Model of fuse link	Rated voltage (V)	Rated current (A)	Weight (g)	Drawing No.	Overall dimension(mm)				
					A	B	C	D	H
NT1 NH1 General	500/690	32-250	360	1.4	135	68	20	48	62
NT2 NH2 Quick speed	500/690	80-400	650	1.4	150	68	25	58	72
NT3 NH3	500/690	160-630	850	1.4	150	68	32	67	84.5

Model, size and specification of applicable fuse link	Rated insulation voltage	Rated current(A)	Weight (g)	Drawing No.	Overall dimension(mm)									
					A <sub>1</sub>	A <sub>2</sub>	A <sub>3</sub>	B <sub>1</sub>	B <sub>2</sub>	C <sub>1</sub>	C <sub>2</sub>	C <sub>3</sub>	φd	
RT16-1 NT1 NH1	690	250	550	2.15	25	175	200	30	58	38	84	10.5		
RT16-2 NT2 NH2	690	400	770	2.15	25	200	225	30	60	38	100	10.5		
RT16-3 NT3 NH3	690	630	965	2.15	25	210	250	30	66	40	105	10.5		

# BH SERIES

**Product Description**

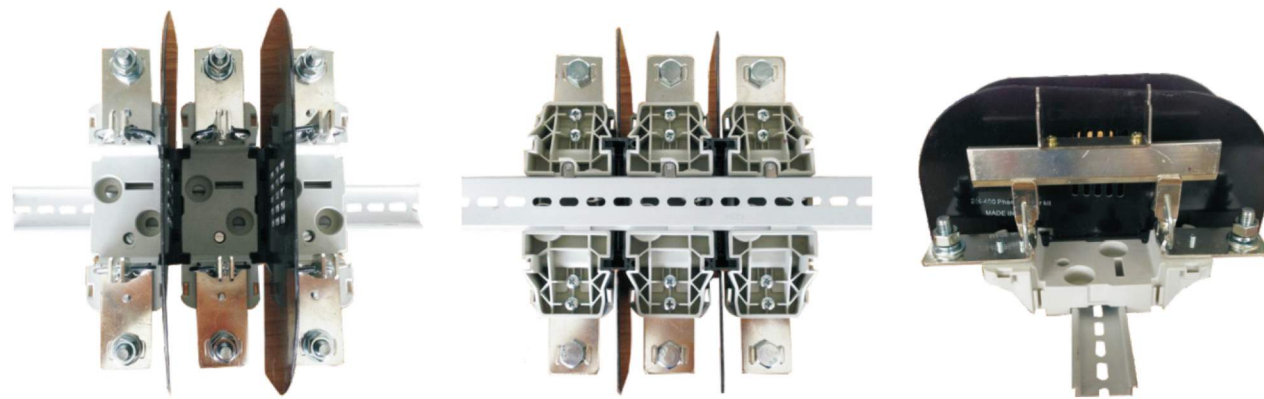
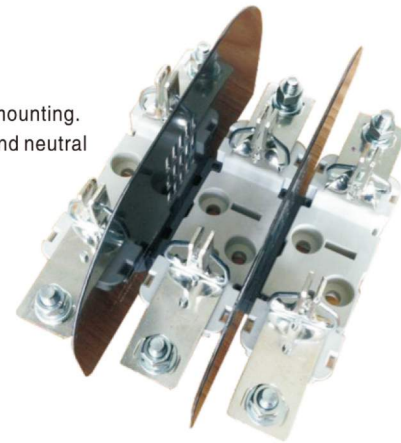
Barfuse BH series fuse bases range has been designed with nylon bodies DIN-Rail and/or screw mounting. This range comes with an accessories, including phase barriers: IP20 finger safe protection kits and neutral links.

**Technical data:**

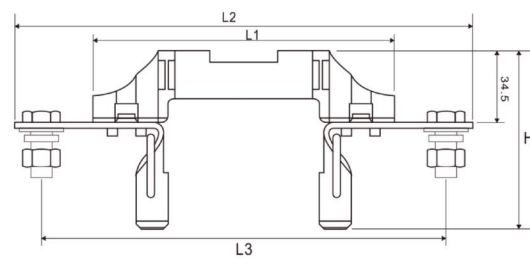
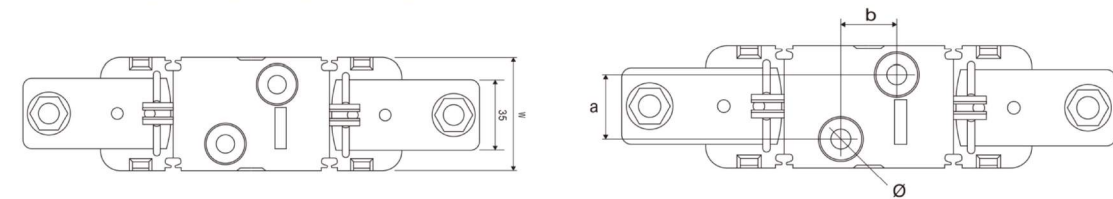
Rated voltage: 690 V  
 Rated current: 160 to 630 A  
 Rated for fuse links with breaking capacity of 120 kA

**Standard/Approvals:**

IEC 60269-1 and 2  
 VDE 0636-1 and 2



## TYPE SPECIFICATION



**DRAWING:**

ITEM	OVERALL SIZE ( L1,L2,L3×W×H )	INSTALLATION ( a×b×Ø )
BH-250	148,196,175 × 55.5 × 86	29.5 × 25.5 × 9.5
BH-400	148,224,198 × 55.5 × 86	29.5 × 25.5 × 9.5
BH-630	148,247,207 × 55.5 × 86	29.5 × 25.5 × 9.5

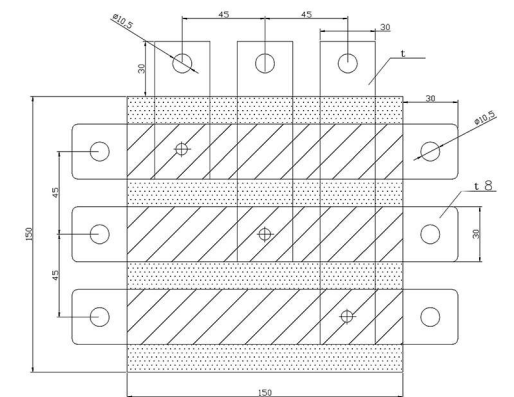
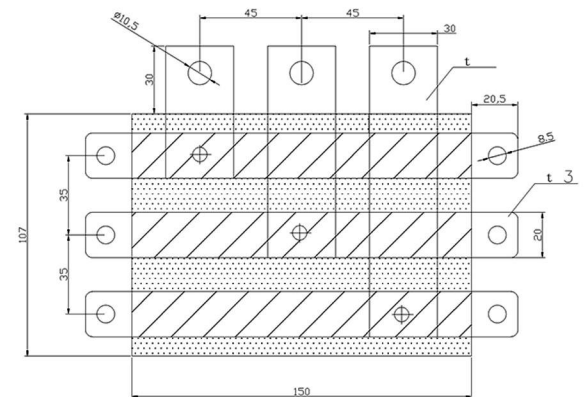
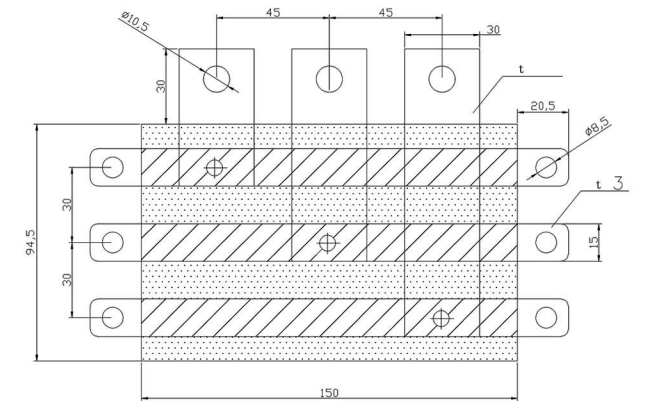
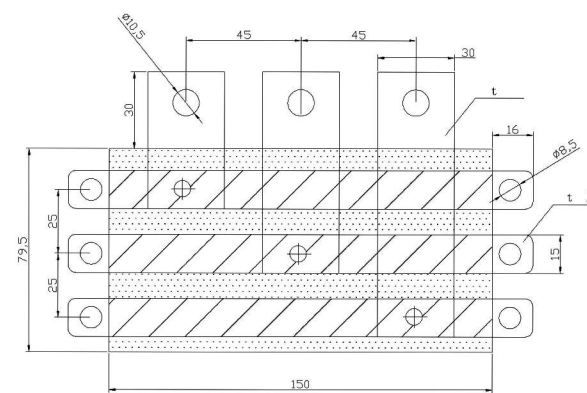
# BF3P Series MCCB PAN ASSEMBLY

Incoming: 630A 400A 250A

Outgoing: 400A 250A 125A

Outgoings quantity: 2W 4W 6W 8W 10W 12W 14W

Advantage: It could be assembly according customer's requirements.



# PAN ASSEMBLY

## Product Description

In electrical systems subject to the installation requirements stipulated in DIN VDE 0100 or IEC 60204-1 / EN 60204-1/ VDE 0113-1 & IEC 60439, neutral, protective earth or phase conductors are often connected to central bus bars. This requires clear labeling of the conductor or the terminal block to the corresponding circuit.

The connection terminal blocks fulfill these conditions in two ways:

- By marking each terminal block individually
- By their blue, green-yellow or black colored housings.



## TYPE & SPECIFICATIONS

Model	Connect Size(mm) Thickness x Width	Outline Size(mm) Thickness x Width	Bus bar Size(mm) Length x Width x Height
BP1-125A/6W	2x5	2x20	126x49x46
BP1-125A/12W	2x5	2x20	180x49x46
BP1-125A/18W	2x5	2x20	234x49x46
BP1-125A/24W	2x5	2x20	288x49x46
BP1-125A/30W	2x5	2x20	342x49x46
BP1-125A/36W	2x5	2x20	396x49x46
BP1-125A/42W	2x5	2x20	450x49x46
BP1-125A/48W	2x5	2x20	504x49x46
BP1-125A/54W	2x5	2x20	558x49x46
BP1-125A/60W	2x5	2x20	612x49x46
BP1-125A/6W	3x5	3x20	126x49x46
BP1-250A/12W	3x5	3x20	180x49x46
BP1-250A/18W	3x5	3x20	234x49x46
BP1-250A/24W	3x5	3x20	288x49x46
BP1-250A/30W	3x5	3x20	342x49x46
BP1-250A/36W	3x5	3x20	396x49x46
BP1-250A/42W	3x5	3x20	450x49x46
BP1-250A/48W	3x5	3x20	504x49x46
BP1-250A/54W	3x5	3x20	558x49x46
BP1-250A/60W	3x5	3x20	612x49x46

**BDB01 Series 1 Phase Distribution Box(IP40)**



No.of ways	Dimensions(mm)		
	W	H	D
4 ways	470	536	120
6 ways	470	590	120
8 ways	470	644	120
12 ways	470	698	120

Pls list main switch as Islator or MCCB clearly when send order

**BDB03 Series 1 Phase Distribution Box(IP40)Surface Type**



No.of ways	Dimensions(mm)		
	W	H	D
4 ways	233	210	97
6 ways	283	210	97
8 ways	333	210	97
12 ways	433	210	97

Standard consumer unit-100A mp main DP SWITCH/DP RCD

**BDB02 Series 3 Phase Distribution Box(New Type) IP40**



No.of ways	Dimensions(mm)		
	W	H	D
4 ways	405	451	118
6 ways	405	505	118
8 ways	405	559	118
12 ways	405	677	118

**BDB04 Series 3 Phase Distribution Box(IP40)Surface Type**



No.of ways	Dimensions(mm)		
	W	H	D
4 ways	365	470	135
6 ways	365	545	135
8 ways	365	620	135
12 ways	365	770	135

Standard consumer unit-100A mp main DP SWITCH/DP RCD



**BDB05 Series 3 Phase Distribution Box(New Type)IP40**



For Surface Mounting

No.of ways	Dimensions(mm)		
	W	H	D
4 ways	380	450	120
6 ways	380	504	120
8 ways	380	558	120
12 ways	380	666	120

Pls list main switch as isolator or MCCB clearly when send order

For Flush Mounting

No.of ways	Dimensions(mm)		
	W	H	D
4 ways	410	480	120
6 ways	410	534	120
8 ways	410	588	120
12 ways	410	696	120

Pls list main switch as isolator or MCCB clearly when send order

**BDB06 Series 3 Phase Distribution Box(IP40)**



No.of ways	Dimensions(mm)		
	W	H	D
4 ways	400	500	140
6 ways	400	554	140
8 ways	400	608	140
12 ways	400	716	140

Three phase,standard consumer unit-100Amp main DP switch/DP RCD

**BDB07 Series 3 Phase Distribution Box(IP40)**



No.of ways	Dimensions(mm)		
	W	H	D
4 ways	430	550	155
6 ways	430	604	155
8 ways	430	658	155
12 ways	430	766	155

**BDB08 Series 1 Phase Distribution Box(IP40)**



No.of ways	Size of surface type (mm)		
	W	H	D
6 ways	208	230	90
8 ways	244	230	90
10 ways	280	230	90
12 ways	316	230	90
14 ways	352	230	90
16 ways	388	230	90
18 ways	424	230	90
20 ways	460	230	90
22 ways	496	230	90

No.of ways	Size of flush type (mm)		
	W	H	D
6 ways	221	243	90
8 ways	257	243	90
10 ways	293	243	90
12 ways	329	243	90
14 ways	365	243	90
16 ways	401	243	90
18 ways	437	243	90
20 ways	473	243	90
22 ways	509	243	90

**BDB09 Series 3 Phase Distribution Box(IP40)**



No.of ways	Dimensions(mm)		
	W	H	D
4 ways	205	252	90
6 ways	241	252	90
8 ways	277	252	90
12 ways	349	252	90

**BDB10 Series 3 Phase Distribution Box(IP40)**



**For Surface Mounting**

No.of ways	Dimensions(mm)		
	W	H	D
4 ways	370	475	115
6 ways	370	550	115
8 ways	370	625	115
12 ways	370	775	115

Three phase,Standard Consumer Unit-100Amp main DP Switch/DP RCD

**For Flush Mounting**

No.of ways	Dimensions(mm)		
	W	H	D
4 ways	395	500	115
6 ways	395	575	115
8 ways	395	650	115
12 ways	395	800	115

Three phase,Standard Consumer Unit-100Amp main DP Switch/DP RCD

### BDB11 Series Distribution Box(IP40)



Model	Size of surface type(mm)		
	W	H	D
3 ways	95	15	60
4 ways	112	200	95
6 ways	148	200	95
8 ways	184	200	95
10 ways	222	200	95
12 ways	256	200	95
15 ways	312	200	95
18 ways	360	220	100
24 ways	270	328	100
36 ways	270	460	100
45 ways	325	470	100

Model	Size of flush type(mm)		
	W	H	D
3 ways	95	150	60
4 ways	136	221	90
6 ways	172	221	90
8 ways	208	221	90
10 ways	246	221	90
12 ways	278	221	90
15 ways	334	221	90
18 ways	398	251	100
24 ways	300	350	100
36 ways	300	482	100
45 ways	365	505	110

### BDB12 Series Distribution Box



No. of ways	Dimensions(mm)		
	W	H	D
2 ways	45	130	80
4 ways	90	130	80
6 ways	135	130	80
8 ways	180	130	80
12 ways	270	130	80
18 ways	405	130	80
24 ways	290	250	95

### BDB13 Junction Box(Without Rubber Plug)-IP55



Model	Dimensions(mm)		
	W	H	D
0805	80		50
0808	85	85	50
1010	100	100	70
1511	150	110	70
2010	200	100	70
2010-1	200	100	110
2015	200	155	80
2020	200	200	80
2520	255	200	80

### BDB14 Waterproof Junction Box(IP65)



Model	Dimensions(mm)		
	W	H	D
0605	65	50	55
0808	80	80	60
1108	110	80	70
1010	100	100	70
1210	120	100	70
1511	150	110	70
1515	150	150	80
1712	175	125	75
1712-1	175	125	100
2010	200	100	80
1818	180	150	80
2015	200	155	100
2020	200	200	100
2520	250	200	100
3025	300	250	130
3530	350	300	130
4035	400	350	130

**BDB15 Series Changeover Switch(New Type)IP40**



Amps	Dimensions(mm)		
	W	H	D
32	221	235	110
63	308	327	138
100	327	440	144

**BDB16 Series Changover Switch(IP65)**



Amps	Dimensions(mm)		
	W	H	D
32	200	300	170
63	250	300	200
100	250	300	200
125	200	300	170
200	300	400	255

**BDB17 Series Waterproof Distribution Box(IP65)**



	Height(mm)	Width(mm)	Depth(mm)
JXF-2020/15	200	200	150
JXF-3025/15	300	250	150
JXF-3025/20	300	250	200
JXF-3030/15	300	300	150
JXF-3030/20	300	300	200
JXF-3040/20	300	400	200
JXF-4030/15	400	300	150
JXF-4030/20	400	300	200
JXF-4040/20	400	400	200
JXF-4060/25	400	600	250
JXF-4060/30	400	600	300
JXF-5040/15	500	400	150
JXF-5040/20	500	400	200
JXF-5040/25	500	400	250
JXF-5050/25	500	500	250
JXF-6040/15	600	400	150
JXF-6040/20	600	400	200
JXF-6040/25	600	400	250
JXF-6050/15	600	500	150
JXF-6050/20	600	500	200
JXF-6050/25	600	500	250

	Height(mm)	Width(mm)	Depth(mm)
JXF-6060/25	600	600	250
JXF-6060/30	600	600	300
JXF-6080/30	600	800	300
JXF-7050/20	700	500	200
JXF-7050/25	700	500	250
JXF-8060/20	800	600	200
JXF-8060/25	800	600	250
JXF-8060/30	800	600	300
JXF-8060/40	800	600	400
JXF-8080/20	800	800	200
JXF-8080/30	800	800	300

	Height(mm)	Width(mm)	Depth(mm)
JXF-80100/30	800	1000	300
JXF-10060/25	1000	600	250
JXF-10060/30	1000	600	300
JXF-10080/25	1000	800	250
JXF-10080/30	1000	800	300
JXF-10080/40	1000	800	400
JXF-100100/30	1000	1000	300
JXF-100120/30	1000	1200	300
JXF-12080/30	1200	800	300
JXF-12080/40	1200	800	400
JXF-120100/30	1200	1000	300

## Accessories



**BFA01 Fuse puller**



**BFA08 Neutral terminal**



**BFA02 Neutral link**



**BFA09 Earth terminal**



**BFA03 / 04 Poles cover**



**BFA10 MCB  
18mm link**

**BFA11 MCB  
27mm link**



**BFA05 Plastic lock**



**BFA12 MCCB  
25mm link**

**BFA13 MCCB  
35mm link**



**BFA06 Metal hinge**



**BFA14 Mounting screws  
3x45 mm**



**BFA07 Spring hinge**



**BFA15 Adjustable screw**